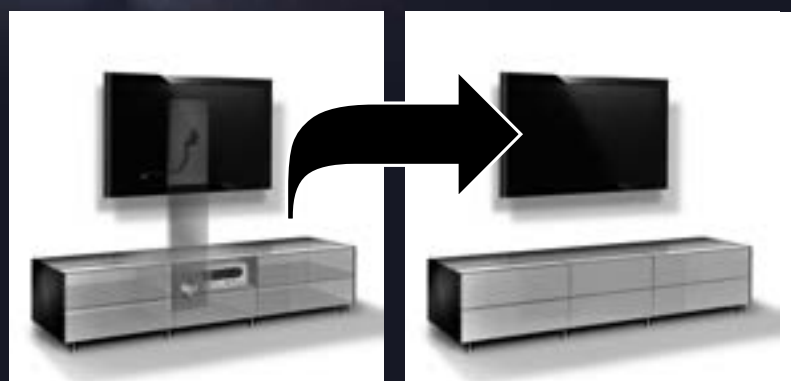
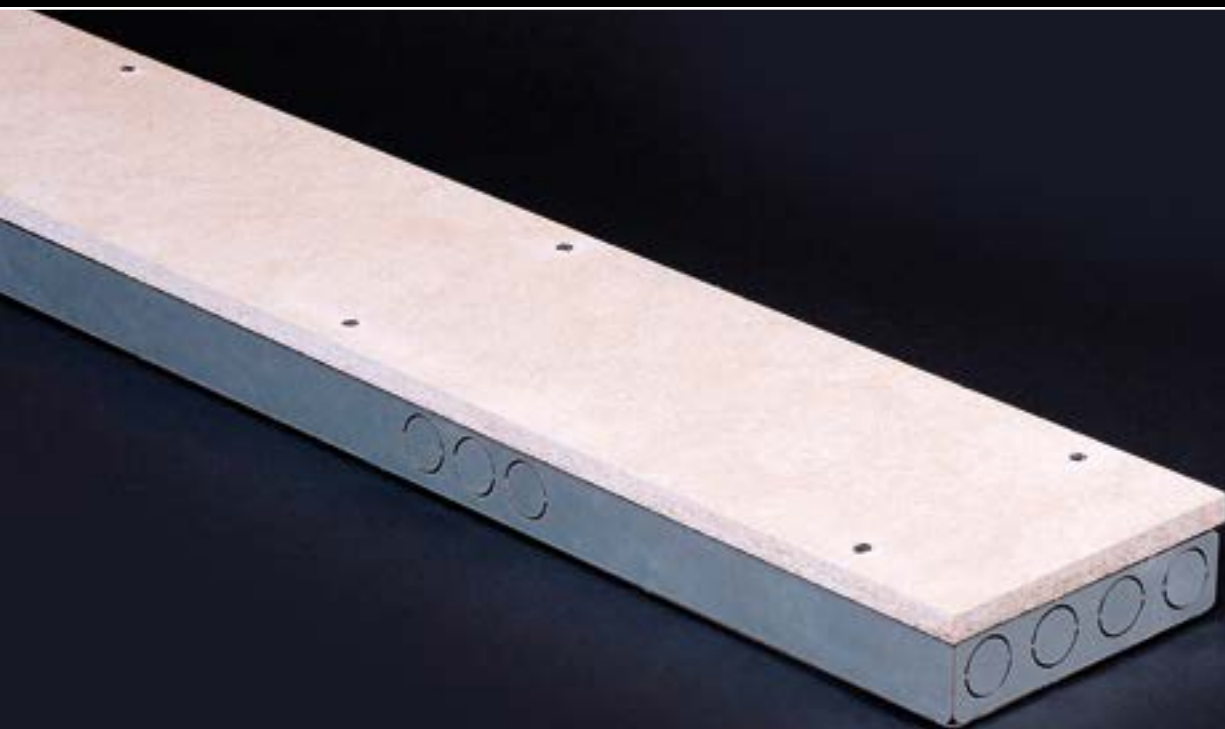


# THE TV DUCT

## INSTALLATION MANUAL



**GET RID OF ALL THE CABLES! Invisibly hide your TV cables in the TV DUCT!**

[BEDACH.COM](http://BEDACH.COM)

**BEDACH®**



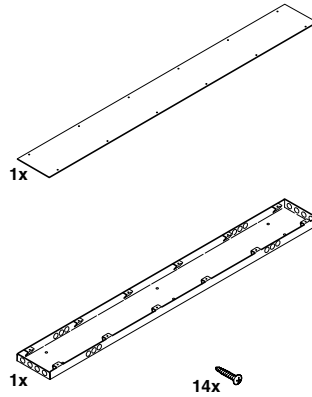
#### DISCLAIMER

As each practical application is based on local conditions, no rights can be derived from the information provided in this manual. BEDACH can therefore never be held liable for damage caused by the products supplied by us and/or the assembly thereof. Our general terms and conditions apply to all our agreements. These are integral and can be consulted free of charge on our website [bedach.nl/en](http://bedach.nl/en). By concluding the agreement, our contracting party acknowledges both its awareness and the applicability of the general terms and conditions.

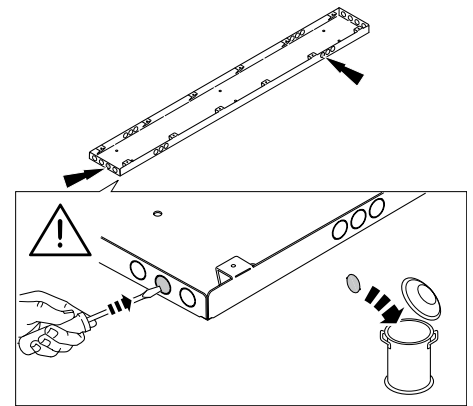
Copyright © 2012 | All rights reserved | BEDACH

## CONTENTS OF THE PACKAGE

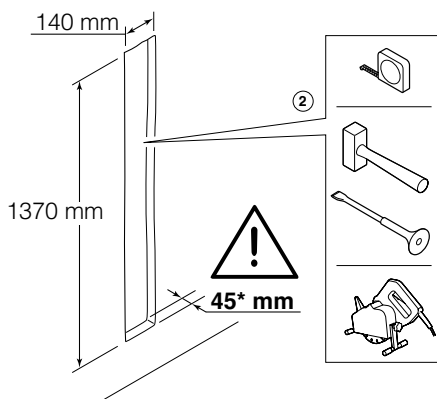
Follow the instructions step by step. Failure to follow these instructions will result in the voiding of any warranty claims.



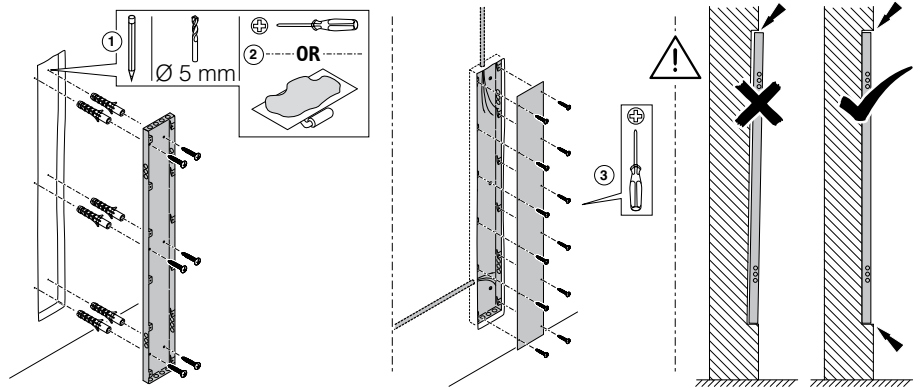
## STEP 1



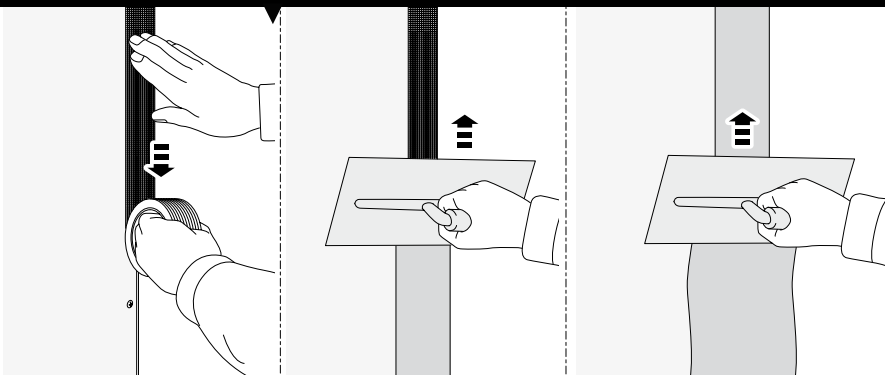
## STEP 2



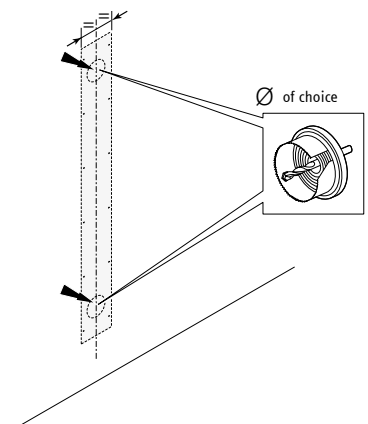
## STEP 3



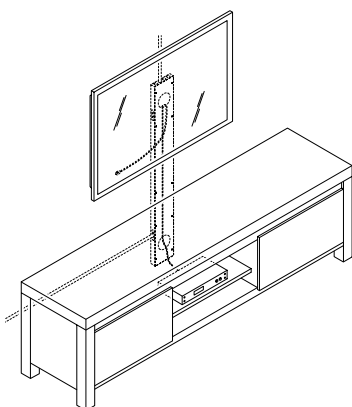
## STEP 4



## STEP 5



## STEP 6



### STEP 2

**Please note!** Depth of cable duct chase = depth of cable duct 31 mm + thickness of plasterboard 10 mm + thickness plaster layer = approx. 45 mm

### STEP 3

For left-hand diagram: **Tip:** The cable duct can also be affixed using plaster or adhesive mortar.  
For centre diagram: **Please note!** The plasterboard is exactly the right size!  
For right-hand diagram: **Please note!** Fit the cable duct - entirely parallel to the wall - in the chase!

### STEP 4

**Tip:** Finish the wall surface according to the instructions provided!\*

### STEP 6

**Warning!** Mount the TV bracket and TV according to the instructions supplied with the TV bracket and TV! Feed the cables through the openings and the wall duct and connect the equipment.

\*Step 4: The air humidity should not exceed 70% during jointing, with a minimum room temperature of 5 °C. At a temperature between 5 and 10 °C, we recommend the use of Gyproc paper joint tape. The premises need to be wind- and waterproof, while the humidity level in the room should be stable. Chases can be cut using a hole saw, compass saw or jigsaw. We advise you to apply an ample amount of plaster, in order to achieve the desired level of finishing.

For more detailed plastering instructions or further information, please consult [www.bedach.nl/images/verwerking.pdf](http://www.bedach.nl/images/verwerking.pdf)